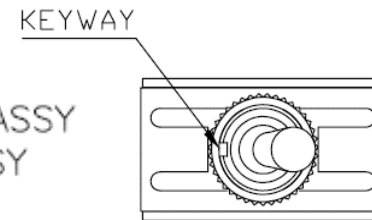
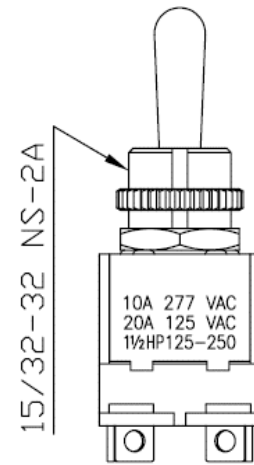
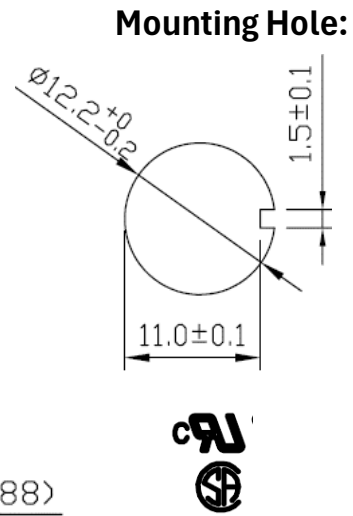
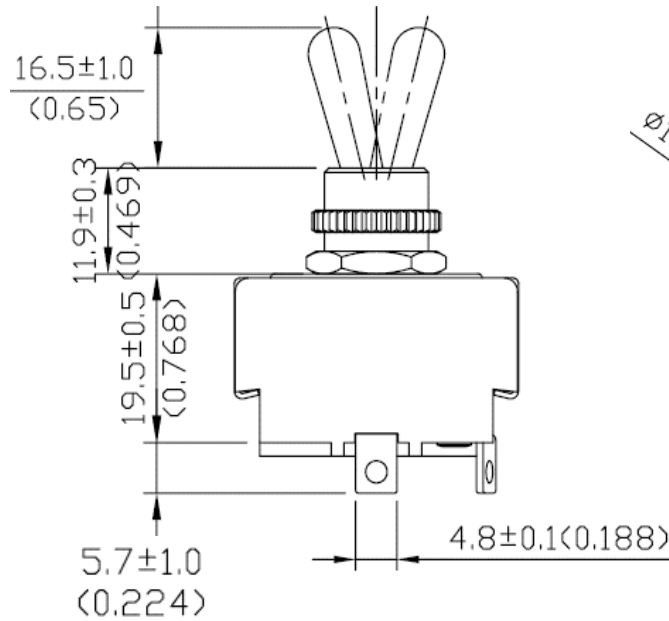
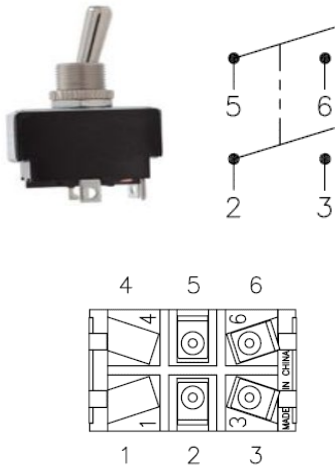


Toggle Switch On/Off DPST Bat 20A Solder Terminals

P/N 35-112

mm (inches)



20A_125 Vac
 10A_277 Vac
 1-1/2 HP_125-250 Vac

Dielectric Strength: 1500 Vac 1 minute
 Contact Resistance: 50m Ohm max.
 Insulation Resistance: 500 Vdc 100M Ohm min.
 O.F. 1200 gm +/- 400 gm

(black phenolic plastic case) flammability rating of UL 94 flame class 94V-1

UPC: 010151541147
 HTS USA: 8536.50.9065
 CoO: China

KNURL NUT ASSY
 HEX NUT ASSY